

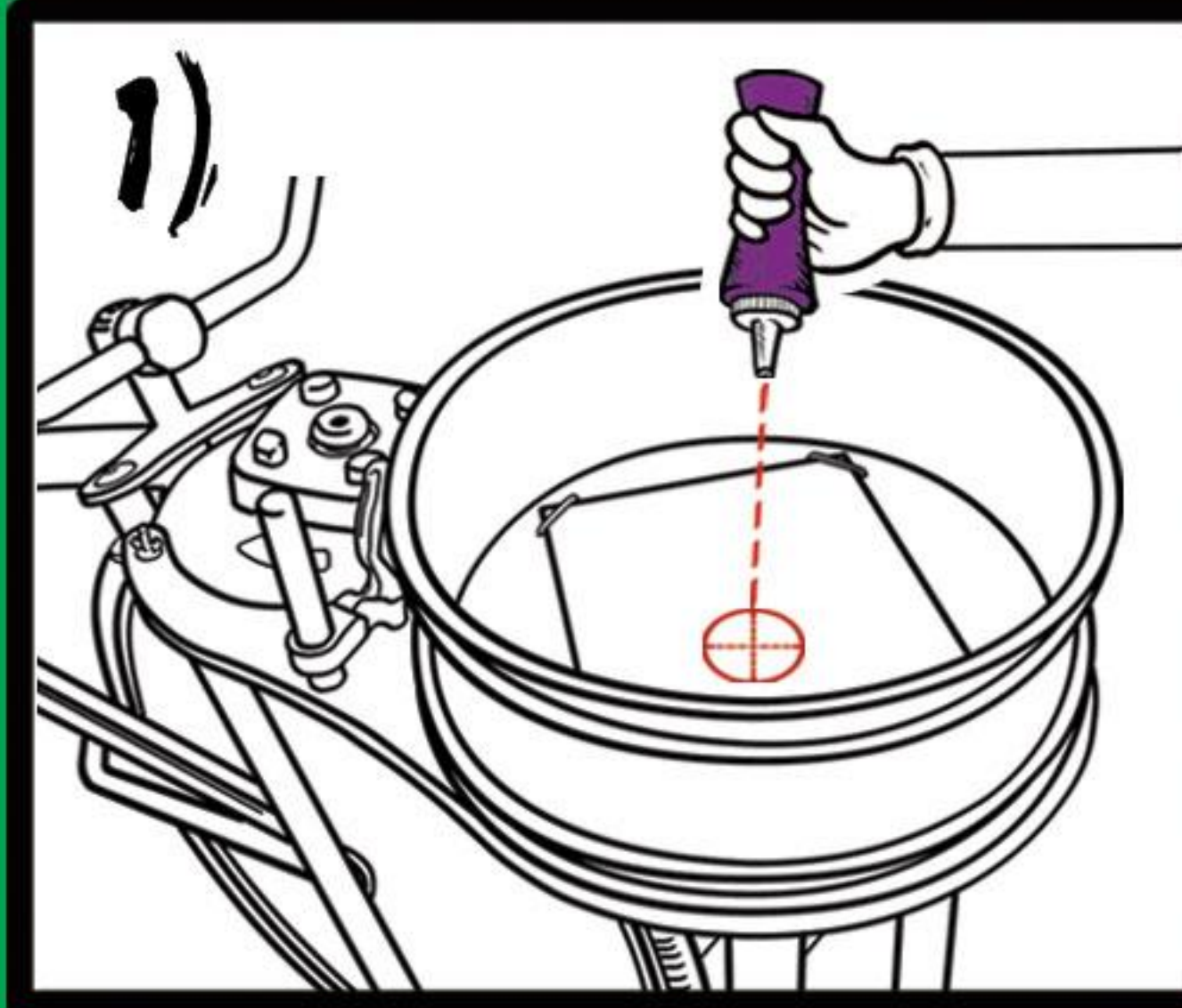
TWO IDEAS TO GET YOU STARTED

We recommend printing these art tips on bigger paper to engage people in line. Find the file here: [rockthebike.com/successful-spin-art-station](http://rockthebike.com/successful-spin-art-station)

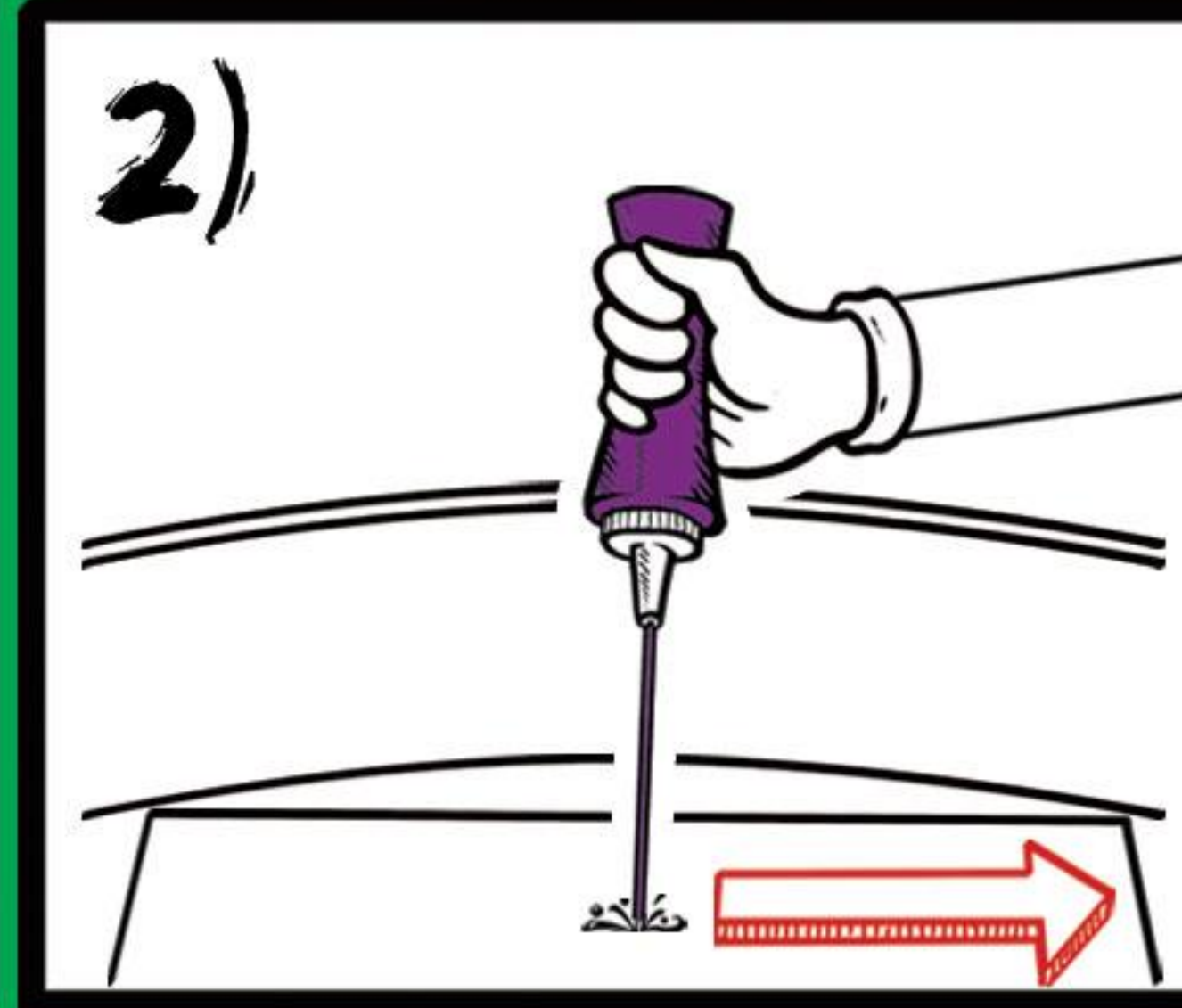
DO THE SPIRAL



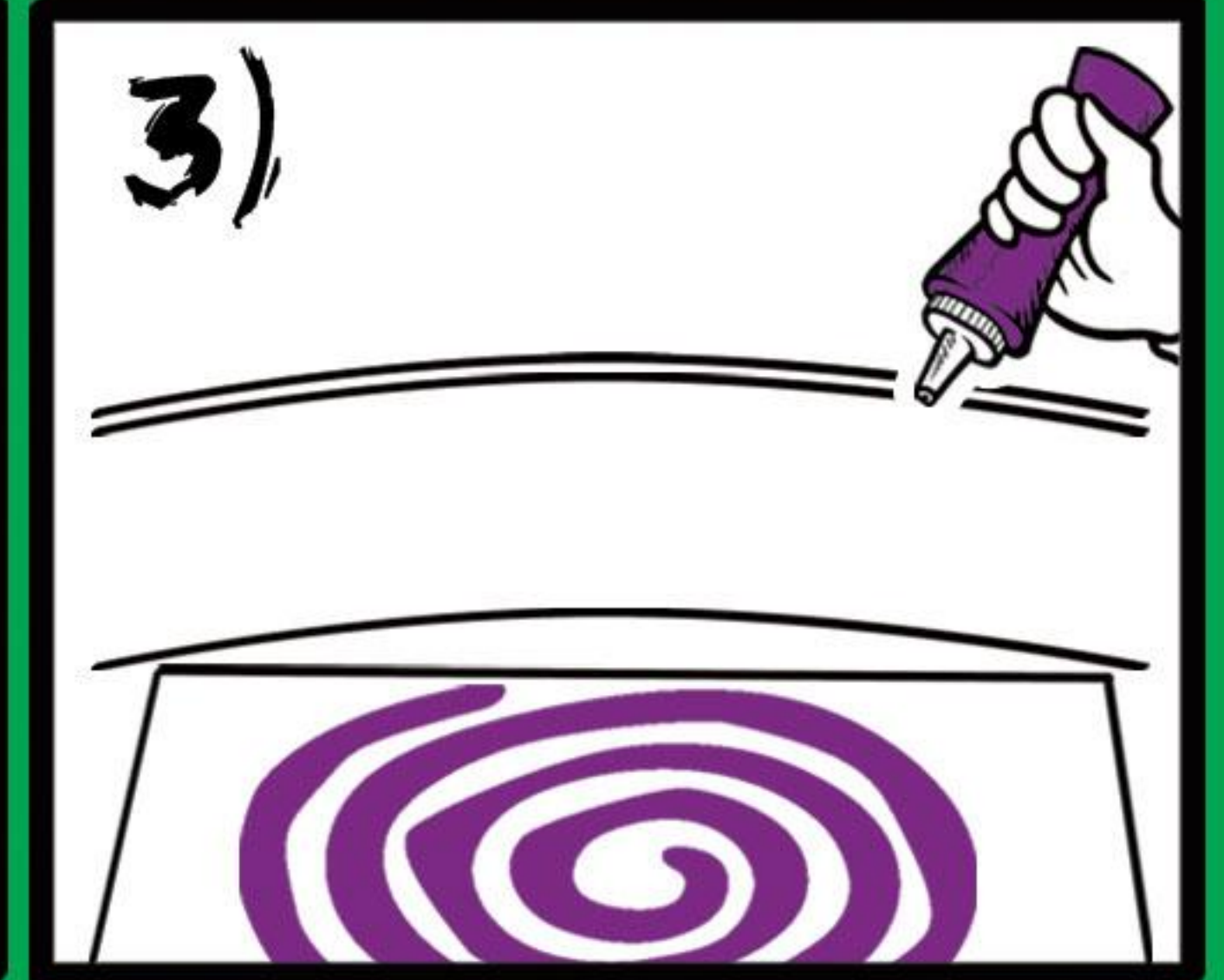
HINT: Spirals look best when the paper spins slowly. Tell the pedaler to pedal REALLY SLOW while you do the spiral.



Aim for the center.



Squeeze and move in a slow, straight line out.

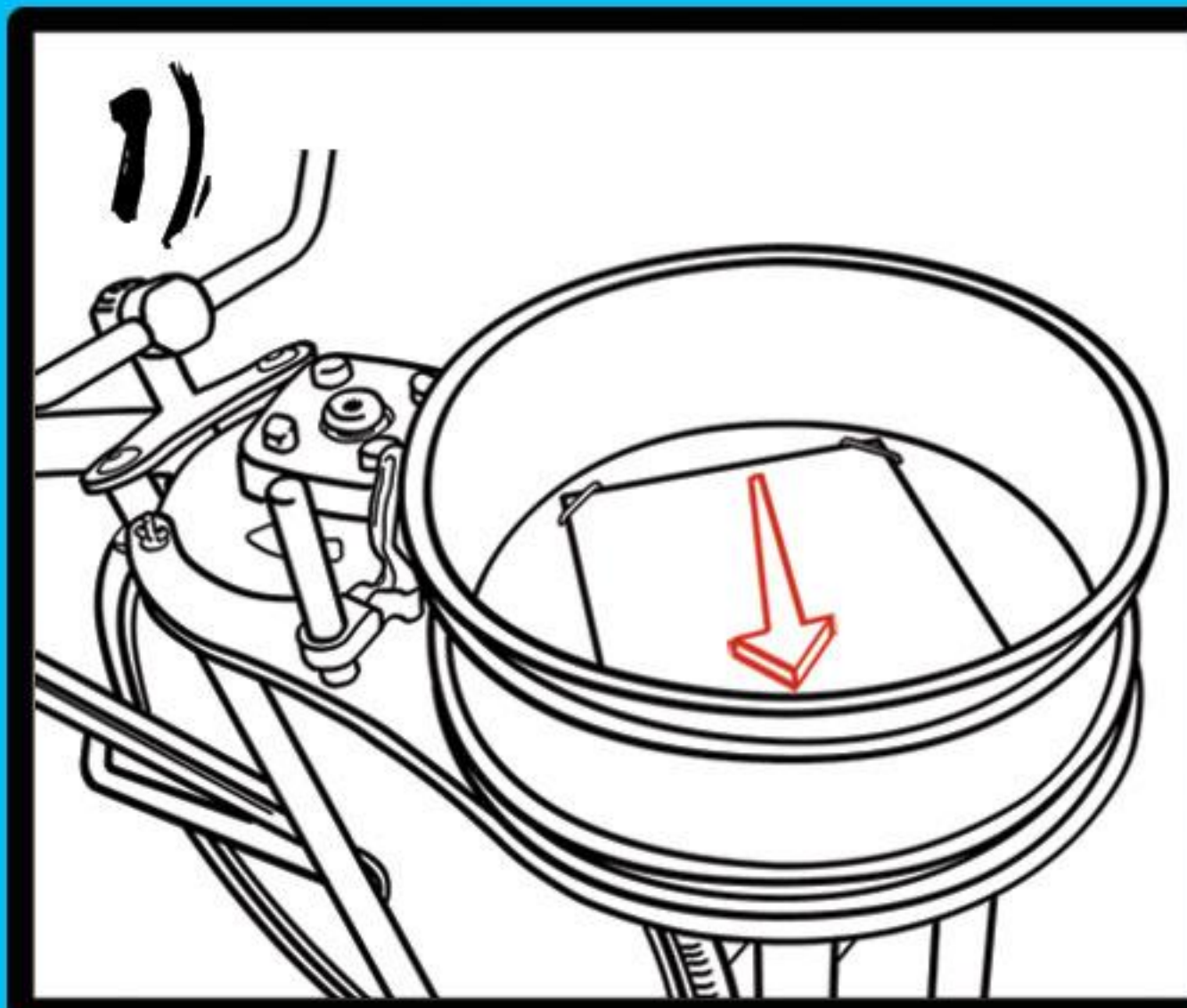


STOP! LOOK! What next?

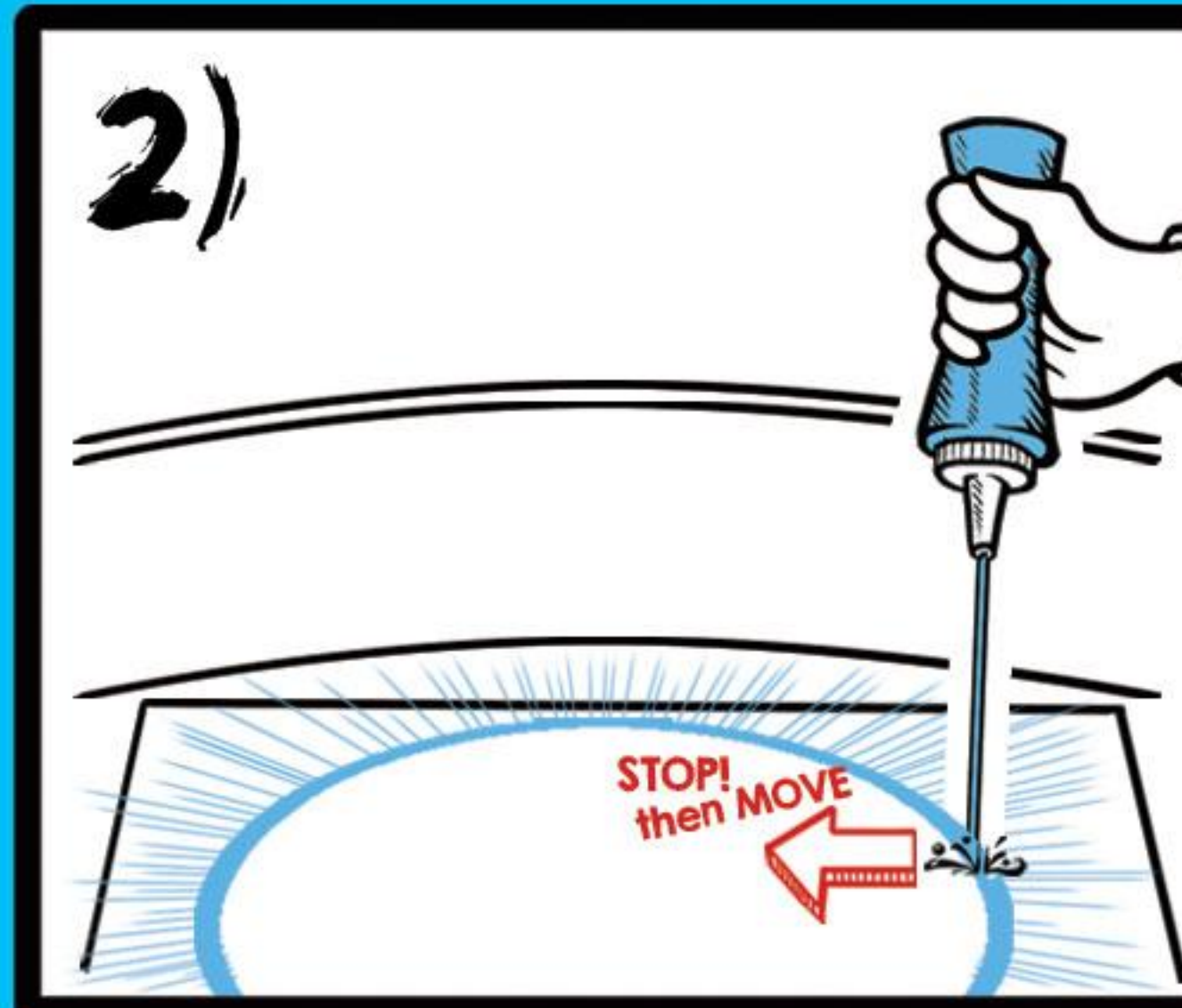
CONCENTRIC RINGS



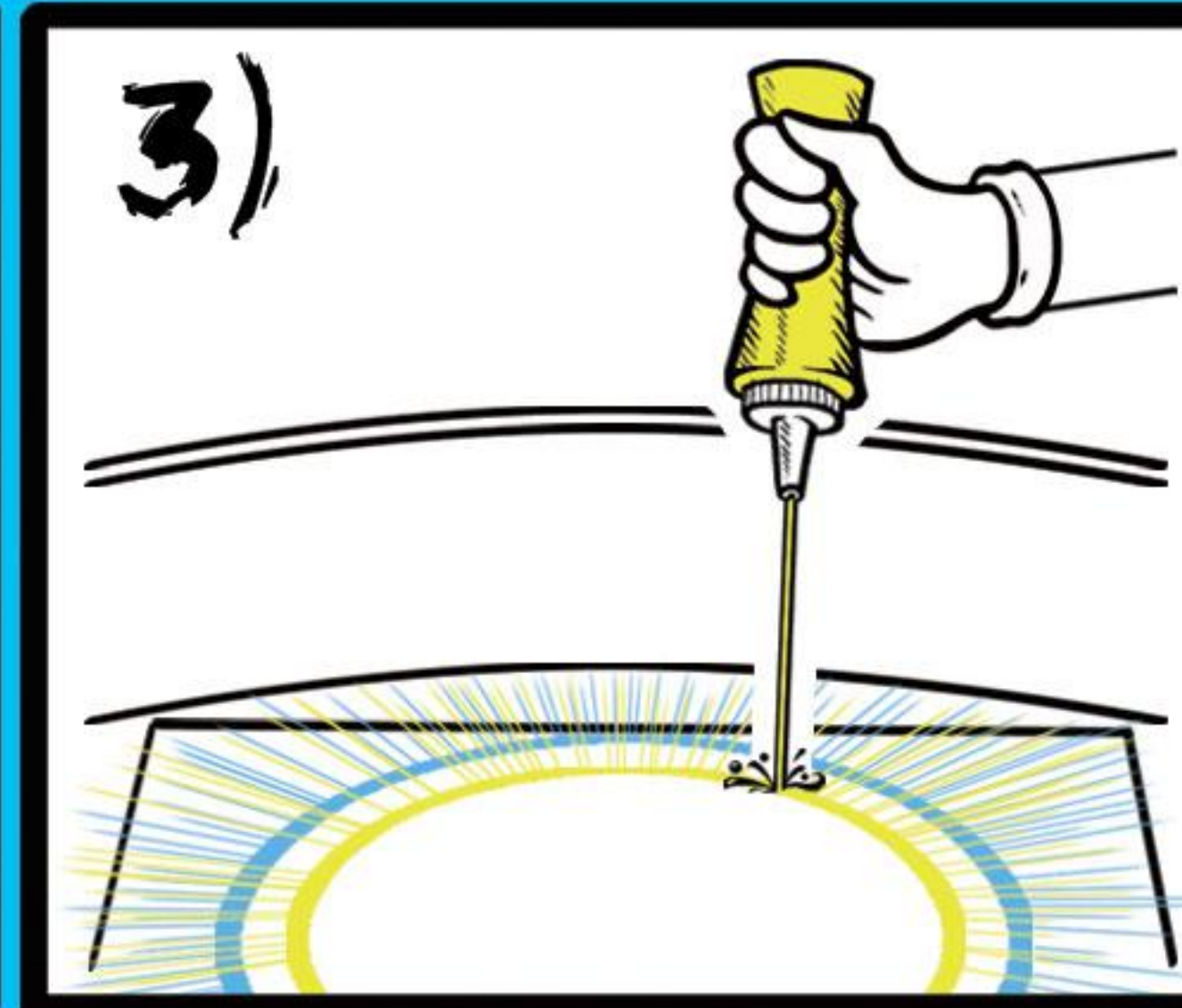
HINT: Save a dark color for the center, it will look great bursting over light rings near the center.



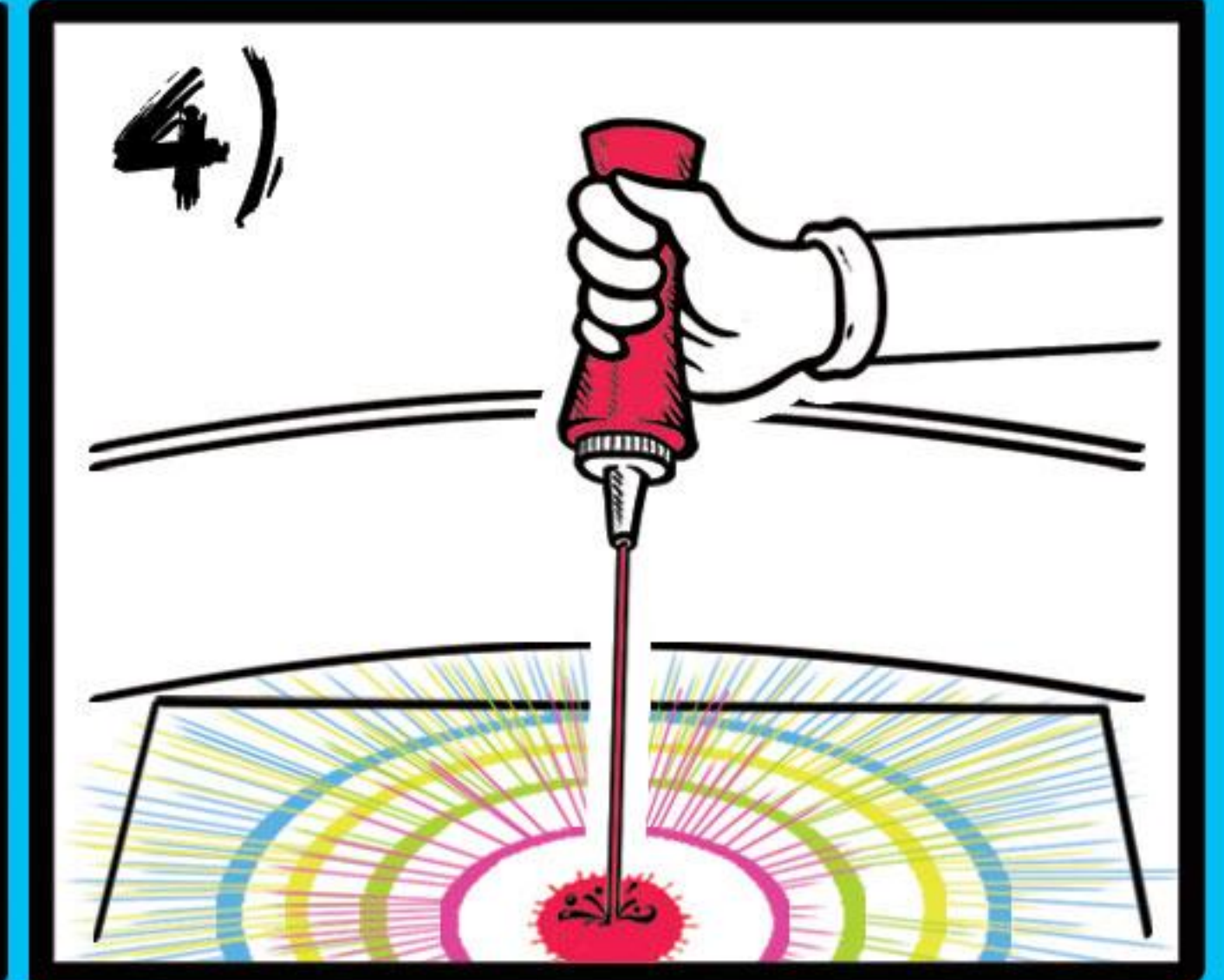
Start from the outside. You'll work towards the center.



Squeeze and STOP for first ring. Then move towards the center.



Start again with a new color: Squeeze and STOP for second ring. REPEAT!



Finish with a big dark dot in the center.